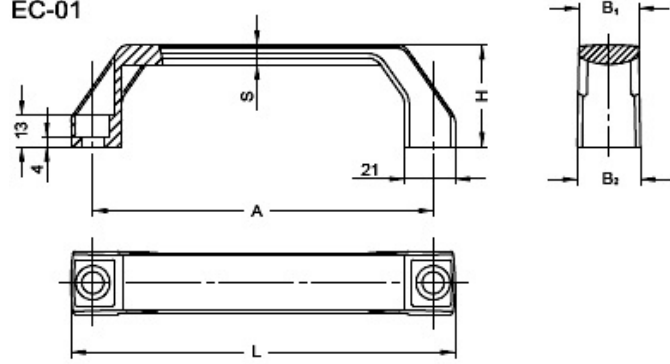


EC

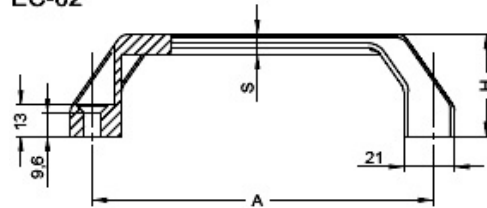


Description - Economy range handles, with optional fixing methods.
 EC-01 for M8 socket bolt fixing
 EC-02 for M6 countersunk fixing
 Material - Glass reinforced polyamide
 Surface finish- Fine grained.

EC-01



EC-02

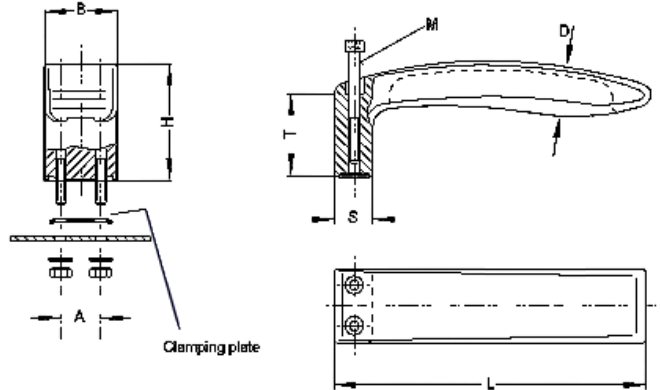


A	L	Order No	Colour	B1	B2	H	S
120	138	EC-01.120.84	Black	25	26	42	8
120	138	EC-01.120.09	Orange	25	26	42	8
140	158	EC-01.140.84	Black	25	26	42	8
140	158	EC-01.140.09	Orange	25	26	42	8
160	178	EC-01.160.84	Black	26	28	42	9
160	178	EC-01.160.09	Orange	26	28	42	9

KW



Description - For use when single sided fastening is required.
 Stainless steel fixing supplied.
 Material - Glass reinforced thermoplastic
 Surface finish- Matt black fine grained



A	L	Order No	M	T	B	H	D	S
17	128	KW-30.017.84	M5x45	33	30	48	20	18
20	154	KW-36.020.84	M6x55	40	36	58	24	22