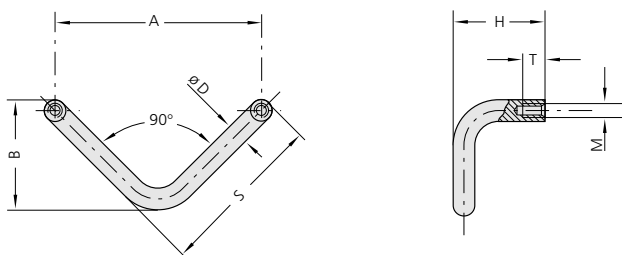


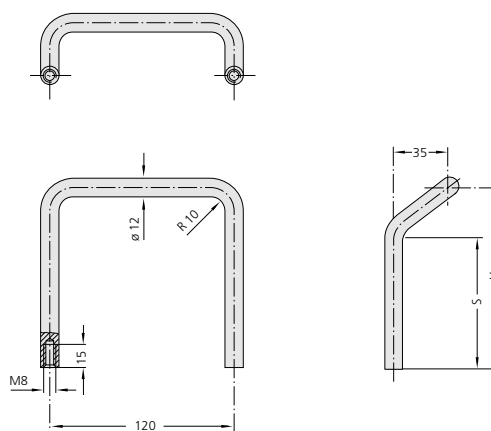
WS



A	Order no.	Ø	H	B	S	M	T
75	WS-08.075.22	8	32	41	61	4	8
90	WS-10.090.22	10	40	49	73	5	10

Description - Shaped steel handle.
 Material - steel.
 Surface finish - chrome plate.

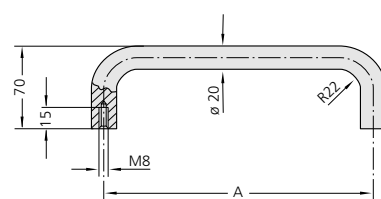
AM



H	Order no.	S
60	AM-27.120.22	27
120	AM-87.120.22	87

Description - Cranked steel handle.
 Material - steel.
 Surface finish - chrome plate.

M2



A	Order no.	Order no.	Order no.
	matt chrome plated	black powder coated	white
200	M2-20.200.27	M2-20.200.54	M1-20.200.9002
250	M2-20.250.27	M2-20.250.54	M1-20.250.9002
300	M2-20.300.27	M2-20.300.54	M1-20.300.9002
350	M2-20.350.27	M2-20.350.54	M1-20.350.9002
400	M2-20.400.27	M2-20.400.54	M1-20.400.9002

Description - Heavy duty bar handle.
 Material - steel.
 Surface finish - matt chrome and fine textured black epoxy, white - powder coated.

All dimensions in mm.