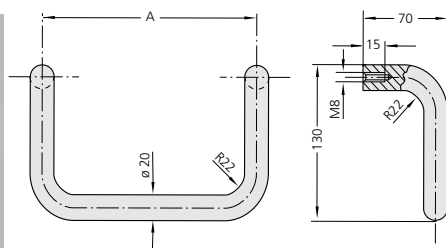


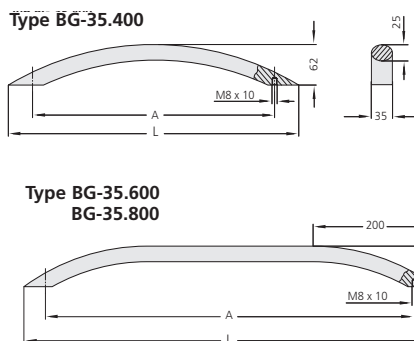
M5



	matt chrome plated	black powder coated	white
A	Order no.	Order no.	Order no.
200	M5-20.200.27	M5-20.200.54	M4-20.200.9002
350	M5-20.350.27	M5-20.350.54	M4-20.350.9002

Description - Cranked steel handle.
 Material - steel.
 Surface finish - matt chrome and fine textured black epoxy, white powder coated.

BG



A	L	silver	black
		Order no.	Order no.
400	480	BG-35.400.11	BG-35.400.14
600	680	BG-35.600.11	BG-35.600.14
800	880	BG-35.800.11	BG-35.800.14

Description - Aluminium bow handle.
 Material - oval profiled aluminium.
 Surface finish - anodised-silver or black.