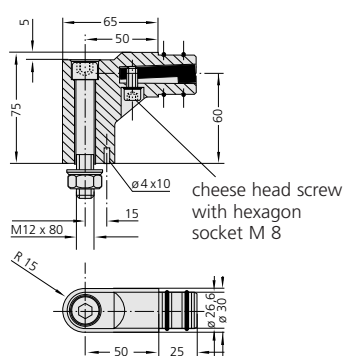




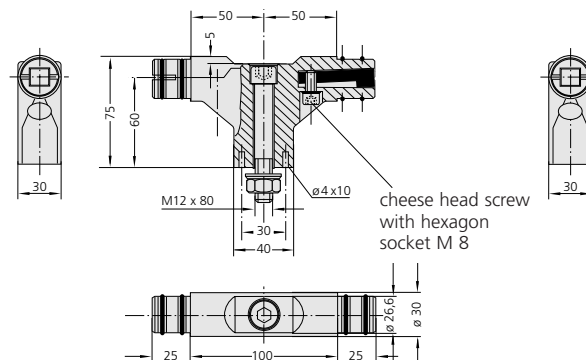
Description - Handrail system. Versatile multi purpose plug in handrail system. Material - connector pieces-die cast aluminium in fine texture epoxy or stainless steel for harsh environments. Tube - aluminium in silver anodise or semi matt black epoxy.

End piece



End piece	Order no.
Steel fixing	HS-30.ESA.54
Stainless steel fixing	HS-30.ENA.54

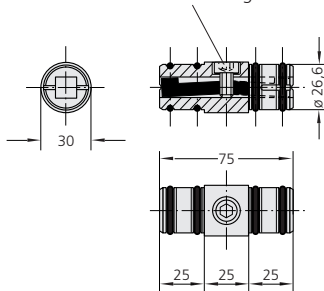
T-piece



T-piece	Order no.
Steel fixing	HS-30.TSA.54
Stainless steel fixing	HS-30.TNA.54

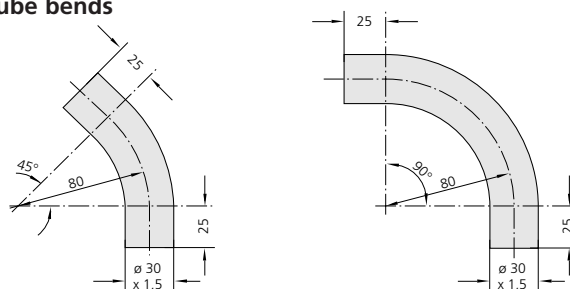
Coupling

cheese head screw with hexagon socket M 8



Coupling	Order no.
Steel	HS-30.KSA.54
Stainless steel	HS-30.KNA.54

Tube bends



Tubes, $\varnothing 30 \times 1,5$	Silver.	Black.
	Order no.	Order no.
Length		
200	HS-30.200.11	HS-30.200.54
300	HS-30.300.11	HS-30.300.54
400	HS-30.400.11	HS-30.400.54
500	HS-30.500.11	HS-30.500.54
600	HS-30.600.11	HS-30.600.54
700	HS-30.700.11	HS-30.700.54
Tube bends $\varnothing 30 \times 1,5$	Order no.	Order no.
45°	HS-30.B45.11	HS-30.B45.54
90°	HS-30.B90.11	HS-30.B90.54