

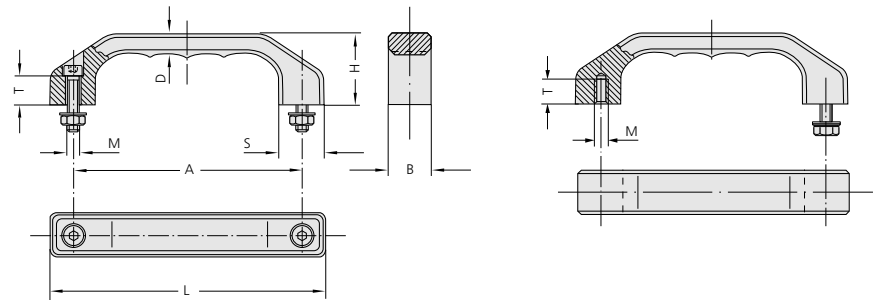
Description - Stainless steel bridge handle. Suitable for medical, chemical and food industries. Available in semi matt or electro polished finish.

Narrow version

B	A	Semi Matt	Electro Polished	M	T	H	D	R
		Order no.	Order no.					
12	100	EF-12.100.31	EF-12.100.36	M 5 x 10	10	40	8	22
	120	EF-12.120.31	EF-12.120.36					
	150	EF-12.150.31	EF-12.150.36					
	180	EF-12.180.31	EF-12.180.36					
	250	EF-12.250.31	EF-12.250.36					
	350	EF-12.350.31	EF-12.350.36					

Wide version

B	A	Semi Matt	Electro Polished	M	T	H	D	R
		Order no.	Order no.					
19,5	100	EF-19.100.31	EF-19.100.36	M 6 x 12	12	45	10	24
	120	EF-19.120.31	EF-19.120.36					
	150	EF-19.150.31	EF-19.150.36					
	180	EF-19.180.31	EF-19.180.36					
	250	EF-19.250.31	EF-19.250.36					
	350	EF-19.350.31	EF-19.350.36					



Description - Solid industrial handle with front & rear fixing options. Material - Stainless steel surface finish - bead blasted & electro polished.

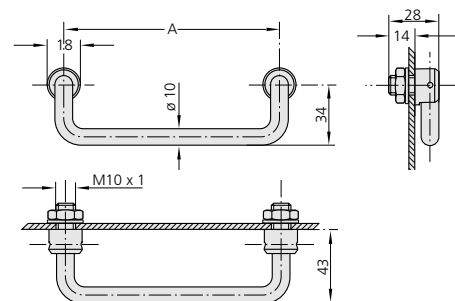
Type EG-1F

screw attachment from in front

Type EG-1R

screw attachment from behind

A	L	Order no.	M	Order no.	M	T	H	B	D	S
140	170	EG-1F.140.36	M 8 x 30	EG-1R.140.36	8 x 18	15	45	25	12	28
180	218	EG-1F.180.36	M 10 x 40	EG-1R.180.36	10 x 20	18	58	32	15	36



Description - Steel and stainless steel folding handle manufactured in round bar. Steel plastic coated option.

A	Stainless Steel	Steel Chrome	Plastic Coated
	Order no.	Order no.	Order no.
100	EK-10.100.31	MK-10.100.22	MK-10.100.23
120	EK-10.120.31	MK-10.120.22	MK-10.120.23
180	EK-10.180.31	MK-10.180.22	MK-10.180.23

All dimensions in mm.