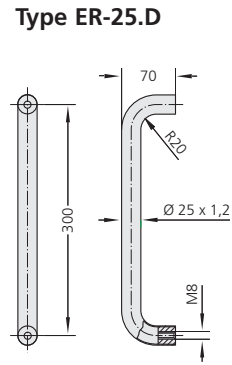
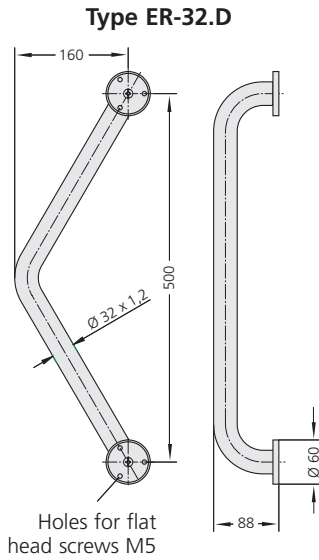


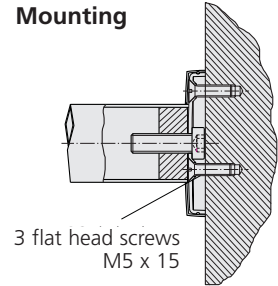
ER



Description - Stainless steel tube handle. Suitable for single sided mounting.



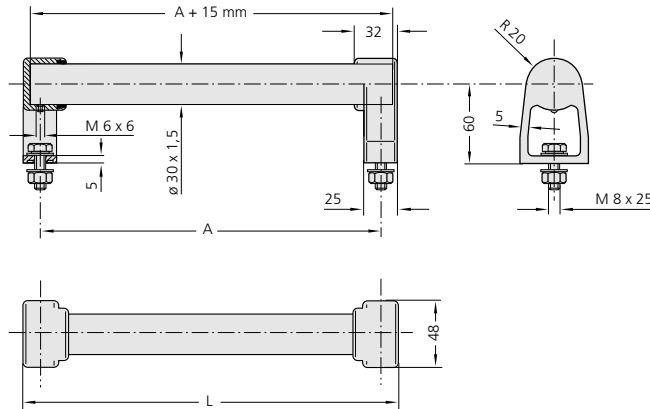
Order no.
ER-25.S300.EG
ER-32.D500.EG



ES



Description - Stainless steel tube handle particularly suitable for medical, chemical and food industries. Available as a safety screw option. Tubes and shanks available for custom sizes.



		Standard handles	Safety handles
A	L	Order no.	Order no.
200	225	ES-30.200.ST	ES-30.200.SI
250	275	ES-30.250.ST	ES-30.250.SI
300	325	ES-30.300.ST	ES-30.300.SI
350	375	ES-30.350.ST	ES-30.350.SI
400	425	ES-30.400.ST	ES-30.400.SI
500	525	ES-30.500.ST	ES-30.500.SI
600	625	ES-30.600.ST	ES-30.600.SI

Single components

	Standard screw	Safety screw
Item	Order no.	Order no.
Handle shank, 1 piece	ES-30.000.ST	ES-30.000.SI
Connection tube, 1 m	ES-30.001.33	

All dimensions in mm.