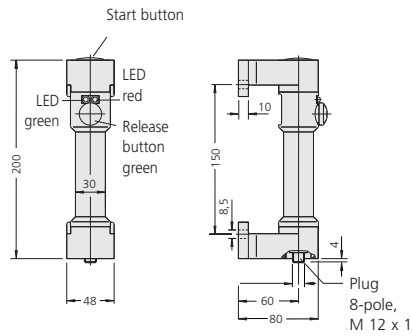


Multi Function Handles

All models have been designed with a button for unlocking the dead lock. The button is located on the front with 2 LED's to advise switching status. Additional buttons on the top and the front can be configured for machine starting and stopping functions. For double door applications, the handle is available without switching functions.



FG



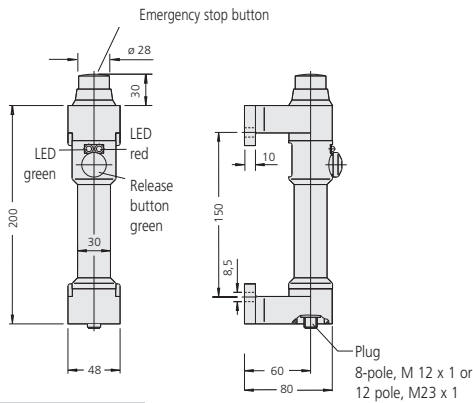
Handle

Switching function

Switching function	Order no.	Order no.	Order no.
Release (1 change-over contact)	FG1-00.FGT.0W	FZ-KS.008.05	FZ-KS.008.10
Start (1 NO contact), Release (1 change-over contact)	FG2-00.FST.0W	FZ-KS.008.05	FZ-KS.008.10
Handle without function, counter-handle for double doors	FG0-00.150.00	—	—

Handle accessories

5 m cable, attached to coupling, (8-pole, M 12 x 1) 10 m cable, attached to coupling, (8-pole, M 12 x 1)



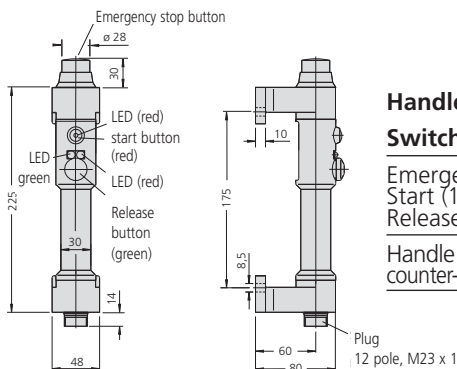
Handle

Switching function

Switching function	Order no.	Order no.	Order no.	Order no.
Emergency-stop (1 NC contact) Release (1 change-over contact)	FG3-NA.FGT.1W	FZ-KS.008.05	FZ-KS.008.10	—
Emergency-stop (2 NC contact) Release (1 change-over contact)	FG4-NA.FGT.2W	—	—	FZ-KL.012.00
Handle without function, counter-handle for double doors	FG0-00.150.00	—	—	—

Handle accessories

5 m cable, attached to coupling, (8-pole, M 12 x 1) 10 m cable, attached to coupling, (8-pole, M 12 x 1) Coupling (12-pole, M23 x 1) as attached version, no cable



Cable Accessories

Cable Accessories	Order no.
8 pole 5m cable	F2 KS 008 05
8 pole 10m cable	F2 KS 008 10
12 pole connector (no cable)	F2 KL 012 00

Handle

Switching function

Switching function	Order no.	Order no.
Emergency-stop (2 NC contact) Start (1 NO contact), Release (1 NO contact)	FG5-NA.FSR.2S	FZ-KL.012.00
Handle without function, counter-handle for double doors	FG0-00.175.00	—

Handle accessories

Coupling (12-pole, M23 x 1) as attached version, no cable

All dimensions in mm.