



FG2-00.FST.0W



FG1-00.FGT.0W
FG2-00.FST.0W

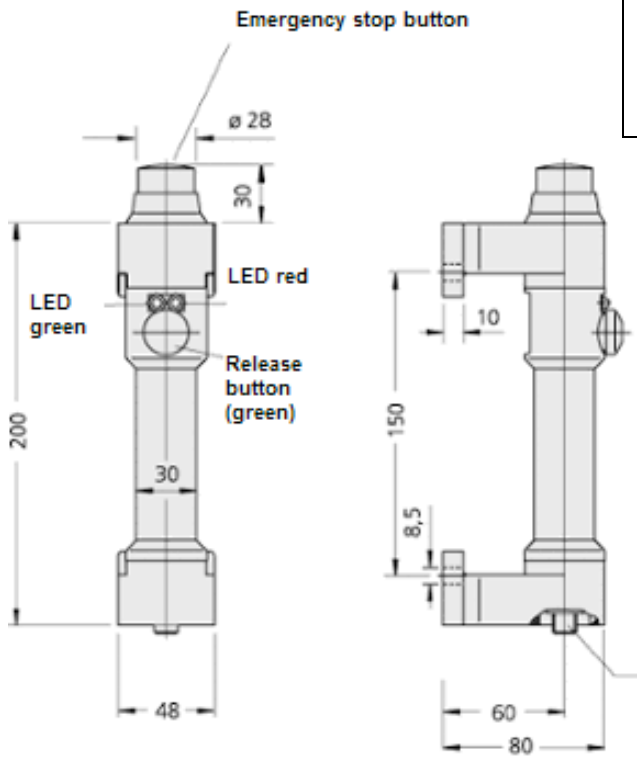
Description - Functional handle, technical design with illuminated push buttons.

FG3-1
-Release button (change over contacts)
red & green LED

FG3-2
-As FG3-3, but with start button
on the top

Material -Aluminium tube, Polyamide PA6
glass reinforced.

Surface finish- Tube, fine ground and
anodised black. Shanks grained black.



Type	FG3-01.150.84	FG3-02.150.84
Start Button	Not Included	(7) BU
Release button	BN(2) WH(1) RD(8)	BN (2) WH (1) RD (8)
LEDs	GY (5) GN (3) LED Red LED Green YE (4)	GY (5) GN (3) LED Red LED Green YE (4)

Switching voltage and switching current

Switching Voltage	24 V DC Max. 30V AC/36 V DC Max. 1.5A	24 V DC Max. 30V AC/36 V DC Max. 1.5A
Operating Volt LED	24 V DC	24 V DC

Connection Type	RD(8) BN (2) WH (1) GN (3) BU (7) YE (4) PK (6) GY (5)	RD(8) BN (2) WH (1) GN (3) BU (7) YE (4) PK (6) GY (5)
-----------------	--	--

8 Pole

Cable Accessories	FZ-KS.W08.10
-------------------	------------------