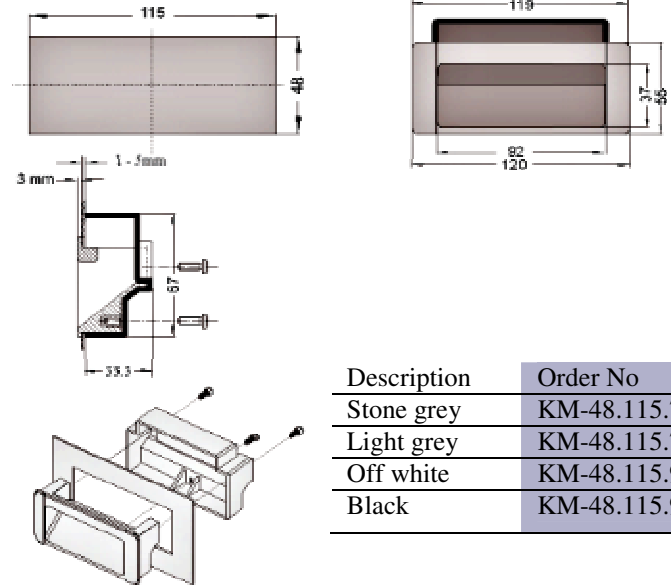


KM



Description - Tough versatile tray handle.
Material - Glass reinforced thermoplastic
Surface finish- Fine grained. Four colour options

Mounting cutout



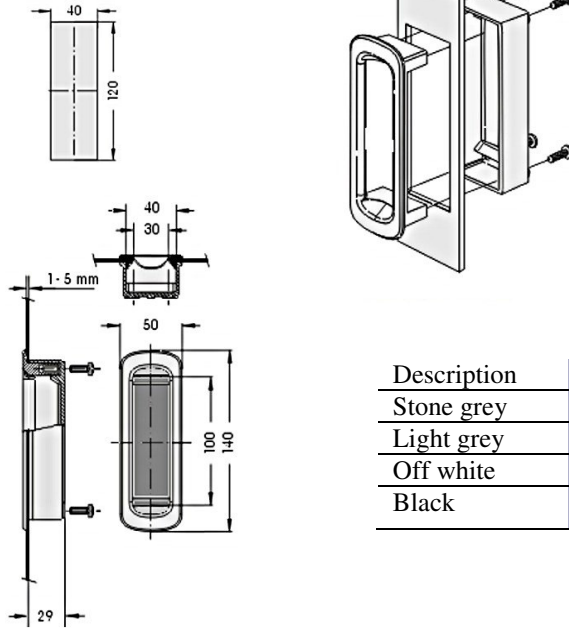
Description	Order No
Stone grey	KM-48.115.7030
Light grey	KM-48.115.7035
Off white	KM-48.115.9002
Black	KM-48.115.9005

KS



Description - Sliding Tray Handle
Material - Glass reinforced thermoplastic.
Brass fixing inserts
Surface Finish - Fine grain. Four colour options

Mounting Cutout

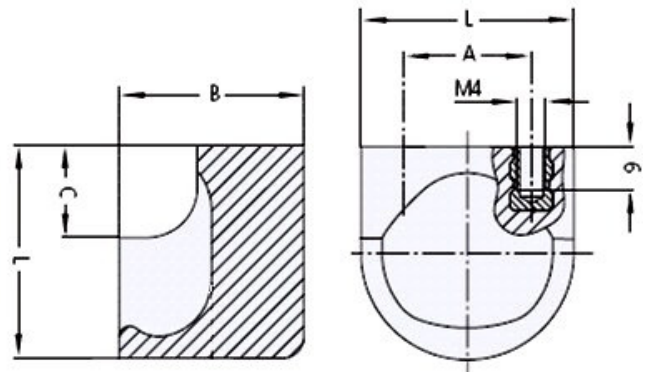


Description	Order No
Stone grey	KS-40.120.7030
Light grey	KS-40.120.7035
Off white	KS-40.120.9002
Black	KS-40.120.9005

FM



Description – Drawer Pull Handle
Material - Glass reinforced thermoplastic
brass fixing inserts
Surface Finish - Fine grain. Two colour options



A	L	B	C	Order No - Black	Order No- Grey
14	26	22	11	FM-14.022.9005	FM-14.022.7035
18	30	26	13	FM-18.026.9005	FM-18.026.7035