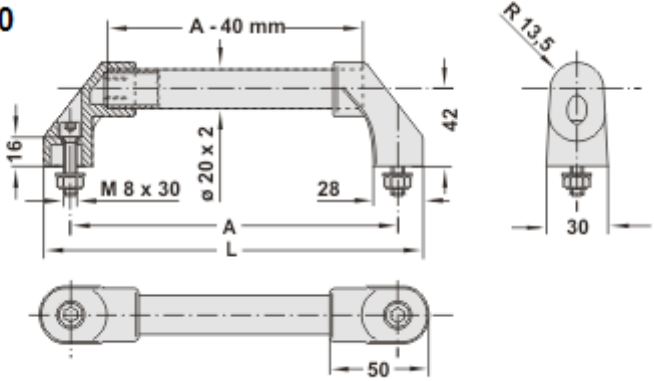


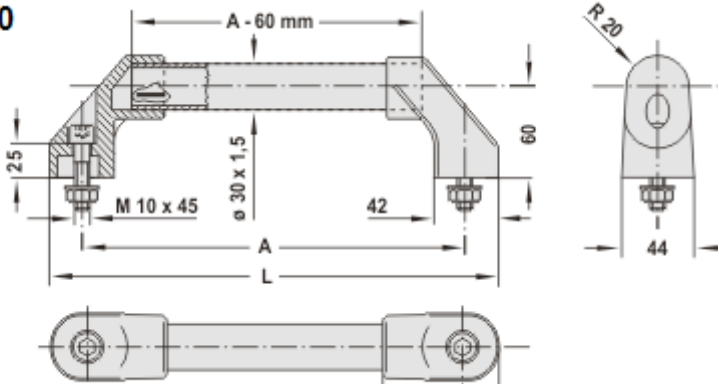
**RS**



**Type RS-20**



**Type RS-30**



**Description** - Heavy duty handle. 3 part construction, any length can be accommodated on request.  
 Optional blanking caps for RS-30  
**Material** - Glass reinforced thermoplastic.  
 Aluminium connecting tubes  
**Surface finish-**  
 Type A - Connecting tube ground and anodised natural.  
 Type B - Connecting tube with grooved plastic cover.  
 Type C - Connecting tube fine texture powder painted.

A	L	Order No Version A	Order No Version B	Order No Version C
180	210	RS-20.180.62	RS-20.180.63	RS-20.180.64
200	230	RS-20.200.62	RS-20.200.63	RS-20.200.64
250	280	RS-20.250.62	RS-20.250.63	RS-20.250.64
300	330	RS-20.300.62	RS-20.300.63	RS-20.300.64
350	380	RS-20.350.62	RS-20.350.63	RS-20.350.64
400	430	RS-20.400.62	RS-20.400.63	RS-20.400.64
500	530	RS-20.500.62	RS-20.500.63	RS-20.500.64
600	630	RS-20.600.62	RS-20.600.63	RS-20.600.64

**RS-30 With blanking caps for screw fixing holes**

A	L	Order No Version A	Order No Version B	Order No Version C	Order No Version A	Order No Version B	Order No Version C
250	294	RS-30.250.62	RS-30.250.63	RS-30.250.64	RS-30.250.K62	RS-30.250.K63	RS-30.250.K64
300	344	RS-30.300.62	RS-30.300.63	RS-30.300.64	RS-30.300.K62	RS-30.300.K63	RS-30.300.K64
350	394	RS-30.350.62	RS-30.350.63	RS-30.350.64	RS-30.350.K62	RS-30.350.K63	RS-30.350.K64
400	444	RS-30.400.62	RS-30.400.63	RS-30.400.64	RS-30.400.K62	RS-30.400.K63	RS-30.400.K64
500	544	RS-30.500.62	RS-30.500.63	RS-30.500.64	RS-30.500.K62	RS-30.500.K63	RS-30.500.K64
600	644	RS-30.600.62	RS-30.600.63	RS-30.600.64	RS-30.600.K62	RS-30.600.K63	RS-30.600.K64