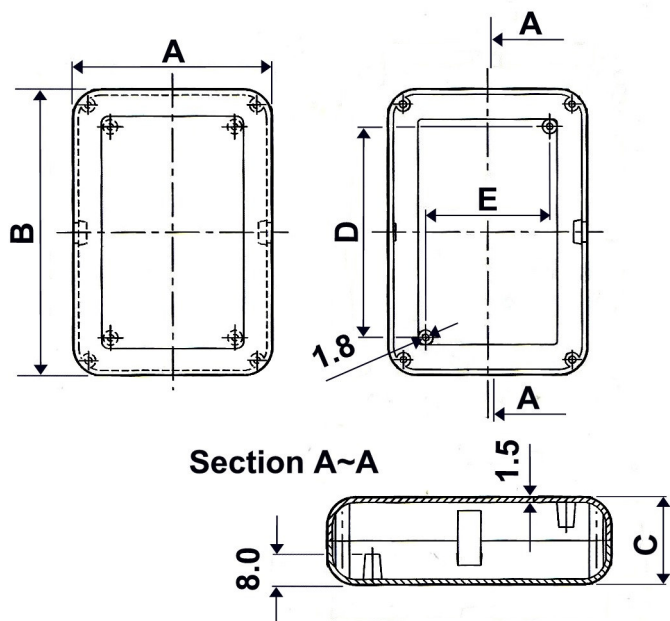


SO



Description - Versatile snap together oval enclosure. Base and lid have integral PCB mounting posts. Locating pins in each corner to ensure accurate positioning and strength.

Material - ABS

Surface finish - Matt texture finish

| Order No | A | B | C | D | E |
|----------------|------|-------|------|-------|------|
| SO-31.5624.04 | 31.0 | 56.0 | 24.0 | 19.5 | 30.5 |
| SO-56.8024.04 | 56.0 | 80.0 | 24.0 | 35.0 | 59.0 |
| SO-46-9017.04 | 46.0 | 90.0 | 17.5 | 30.0 | 75.0 |
| SO-65-13130.04 | 65.0 | 131.0 | 30.5 | 84.0* | 42.0 |

* PCB posts are offset by 12.2

PB



| Order No | Length | Width | Height |
|----------------|--------|-------|--------|
| PB-11.1109.04 | 11 | 11 | 9 |
| PB-21.2118.04 | 21 | 21 | 18 |
| PB-25.2015.04 | 25 | 20 | 15 |
| PB-25.2525.04 | 25 | 25 | 25 |
| PB-30.2015.04 | 30 | 20 | 15 |
| PB-30.3020.04 | 30 | 30 | 20 |
| PB-35.4020.04 | 35 | 40 | 20 |
| PB-40.4020.04 | 40 | 40 | 20 |
| PB-40.4030.04 | 40 | 40 | 30 |
| PB-50.4030.04 | 50 | 40 | 30 |
| PB-50.5030.04 | 50 | 50 | 30 |
| PB-75.5035.04 | 75 | 50 | 35 |
| PB-75.7540.04 | 75 | 75 | 40 |
| PB-100.6025.04 | 100 | 60 | 25 |

Description - Comprehensive range of potting boxes suitable for electronic assemblies providing protection from shock and environmental stress

Flanged range allows for physical attachment.

Material - ABS

Surface finish - Smooth.

Flanged version

| Order No | Length | Width | Height |
|---------------|--------|-------|--------|
| PB-36.2419.04 | 36 | 24 | 19 |
| PB-50.3024.04 | 50 | 21 | 24 |
| PB-55.4227.04 | 55 | 42 | 27 |