

U1

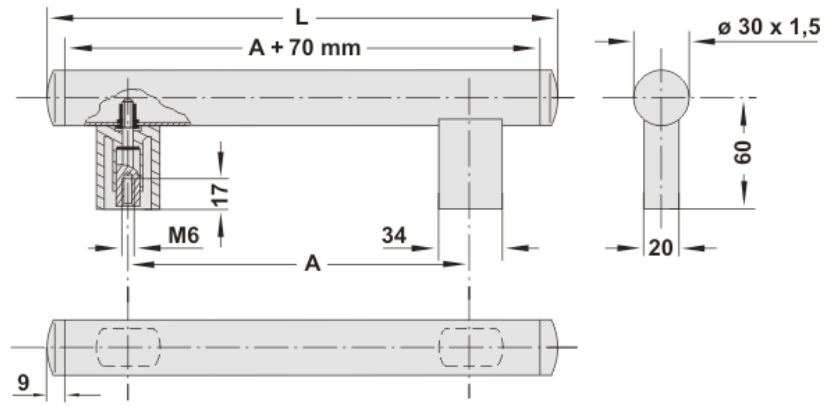


Description - Tube handle.

Material - tubes aluminium or stainless steel, shanks glass reinforced plastic.

Surface finish- Fine grained for anodised and stainless steel, fine texture painted version.

Type U1



Natural Anodise

Black Painted

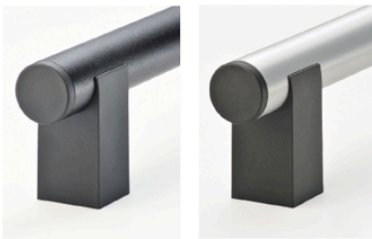
Stainless Steel

| A | L | Order No | Order No | Order No |
|-----|-----|--------------|--------------|--------------|
| 200 | 288 | U1-30.200.01 | U1-30.200.54 | U1-30.200.37 |
| 250 | 338 | U1-30.250.01 | U1-30.250.54 | U1-30.250.37 |
| 300 | 388 | U1-30.300.01 | U1-30.300.54 | U1-30.300.37 |
| 350 | 438 | U1-30.350.01 | U1-30.350.54 | U1-30.350.37 |
| 400 | 488 | U1-30.400.01 | U1-30.400.54 | U1-30.400.37 |
| 500 | 588 | U1-30.500.01 | U1-30.500.54 | U1-30.500.37 |

U5



U5-30.F



U5-30.R

Description- Tube Handle.

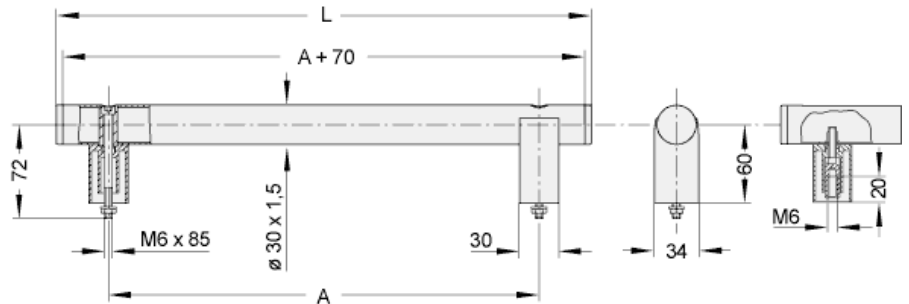
Material - Tubes aluminium, silver anodised/black painted or stainless steel.

End caps and supports glass reinforced plastic.

Surface finish- Fine grained for anodised and stainless steel, fine texture painted version

Type U5-30.F

Type U5-30.R



Natural Anodise

Black Painted

Stainless Steel

| A | L | Order No | Order No | Order No |
|-----|-----|---------------|---------------|---------------|
| 200 | 280 | U5-30.F200.01 | U5-30.F200.54 | U5-30.F200.37 |
| 250 | 330 | U5-30.F250.01 | U5-30.F250.54 | U5-30.F250.37 |
| 300 | 380 | U5-30.F300.01 | U5-30.F300.54 | U5-30.F300.37 |
| 350 | 430 | U5-30.F350.01 | U5-30.F350.54 | U5-30.F350.37 |
| 400 | 480 | U5-30.F400.01 | U5-30.F400.54 | U5-30.F400.37 |
| 500 | 580 | U5-30.F500.01 | U5-30.F500.54 | U5-30.F500.37 |
| 200 | 280 | U5-30.R200.01 | U5-30.R200.54 | U5-30.R200.37 |
| 250 | 330 | U5-30.R250.01 | U5-30.R250.54 | U5-30.R250.37 |
| 300 | 380 | U5-30.R300.01 | U5-30.R300.54 | U5-30.R300.37 |
| 350 | 430 | U5-30.R350.01 | U5-30.R350.54 | U5-30.R350.37 |
| 400 | 480 | U5-30.R400.01 | U5-30.R400.54 | U5-30.R400.37 |
| 500 | 580 | U5-30.R500.01 | U5-30.R500.54 | U5-30.R500.37 |