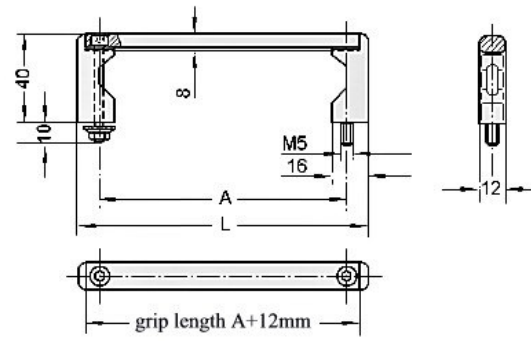


**UG**



**Description** -3 part construction handle, front screw fixing for loading up to 1000 N.  
**Material** - Aluminium grip, polyamide glass reinforced shanks.  
**Surface finish**- Fine grained.

Typ UG-05

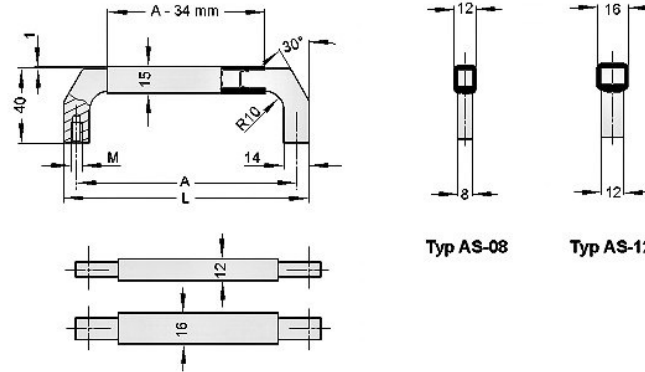


A	L	Order No Silver	Order No Black
25	45	UG-05.025.01	UG-05.025.04
55	75	UG-05.055.01	UG-05.055.04
88	108	UG-05.088.01	UG-05.088.04
100	120	UG-05.100.01	UG-05.100.04
120	140	UG-05.120.01	UG-05.120.04
180	200	UG-05.180.01	UG-05.180.04
235	255	UG-05.235.01	UG-05.235.04

**AS**



**Description** - 3 part construction handle supplied assembled.  
**Material** - Handle grip and profiled shank Aluminium.  
**Finish** - Anodised finish in various colour combinations.



Typ AS-08

Typ AS-12

Typ AS-08

A	L	Shank Colour	Silver Shank Order No	Black Shank Order No	M
100	144	Silver	AS-08.100.N01	AS-08.100.N04	M4 x 8
		Black	AS-08.100.S01	AS-08.100.S04	
120	134	Silver	AS-08.120.N01	AS-08.120.N04	M4 x 8
		Black	AS-08.120.S01	AS-08.120.S04	
180	194	Silver	AS-08.180.N01	AS-08.180.N04	M4 x 8
		Black	AS-08.180.S01	AS-08.180.S04	
200	214	Silver	AS-08.200.N01	AS-08.200.N04	M4 x 8
		Black	AS-08.200.S01	AS-08.200.S04	
235	249	Silver	AS-08.235.N01	AS-08.235.N04	M4 x 8
		Black	AS-08.235.S01	AS-08.235.S04	

Typ AS-12

A	L	Shank Colour	Order No	Order No	M
100	144	Silver	AS-12.100.N01	AS-12.100.N04	M5 x 10
		Black	AS-12.100.S01	AS-12.100.S04	
120	134	Silver	AS-12.120.N01	AS-12.120.N04	M5 x 10
		Black	AS-12.120.S01	AS-12.120.S04	
180	194	Silver	AS-12.180.N01	AS-12.180.N04	M5 x 10
		Black	AS-12.180.S01	AS-12.180.S04	
200	214	Silver	AS-12.200.N01	AS-12.200.N04	M5 x 10
		Black	AS-12.200.S01	AS-12.200.S04	
235	249	Silver	AS-12.235.N01	AS-12.235.N04	M5 x 10
		Black	AS-12.235.S01	AS-12.235.S04	